



FEATURE

- ✧ Eliminates small size design EIA 4.2×4.0mm.
- ✧ Current handling capability 3000A@8/20μs.
- ✧ Low capacitance and insertion loss.
- ✧ Fast response and long service life.
- ✧ Reliable to protect electrostatic surge.
- ✧ Moisture sensitivity level: Level 1.
- ✧ Storage and operating temperature -40~85°C.



Exterior



Schematic symbol

APPLICATION INFORMATION

- ✧ Repeaters, modems.
- ✧ Telephone interface, line cards.
- ✧ Data communication equipment.
- ✧ Line test equipment.

ELECTRICAL CHARACTERISTICS

Part number	DC breakdown voltage 100V/s(V)	Tolerance of V_S	Impulse spark-over voltage 1KV/μs(V)	Impulse discharge current 8/20μs(A)	Insulation resistance		C_o (1MHz)
					GΩ	DC(V)	
J3G091M2SJ	90	±20%	≤700	3000	≥1	50	≤1pF
J3G401M2SJ	400	±20%	≤900	3000	≥1	100	≤1pF
J3G801M2SJ	800	±20%	≤1200	3000	≥1	250	≤1pF
J3G102M2SJ	1000	±20%	≤1500	3000	≥1	500	≤1pF

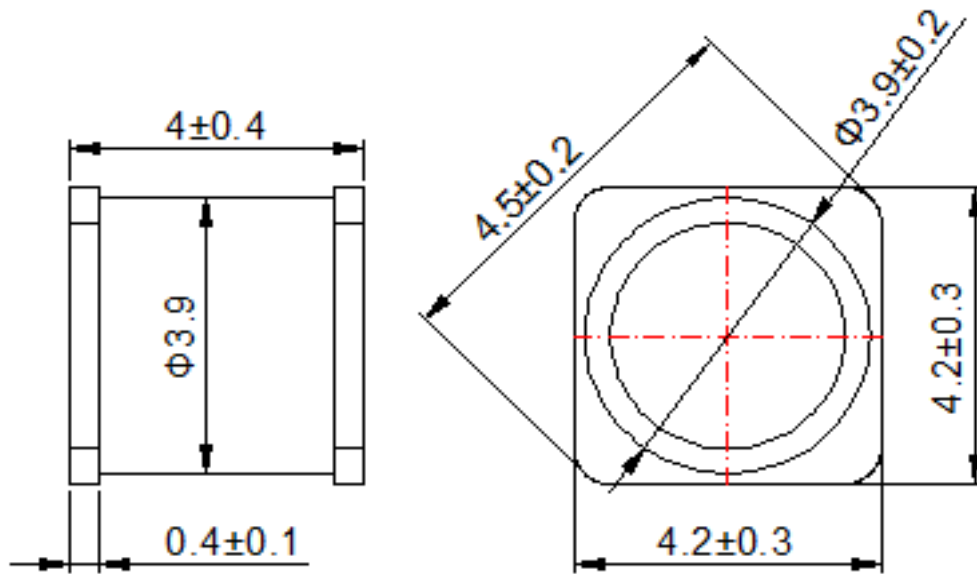
1. The parameters of all tested by ITU-T K12.
2. Total Impulse discharge current 3000A@ 8/20μs by IEC 61000-4-5, 10 shots.
3. The capacitance is tested by 1MHz@DC=0.5V.
4. The V-T waveform of DCBV and IPBV mus lie between the shades.

PART NUMBERING SYSTEM

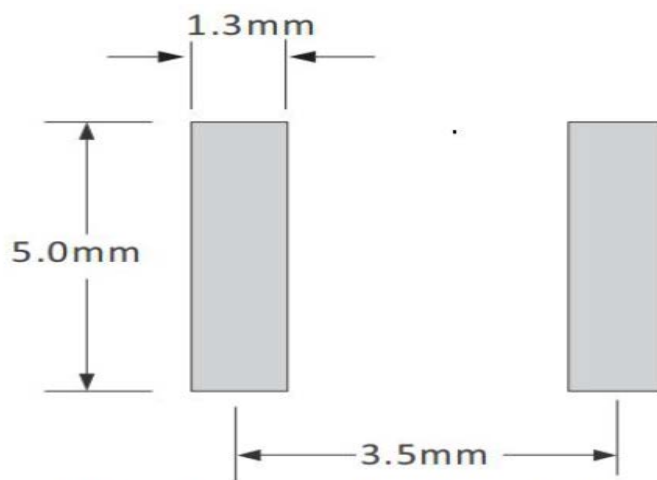
J3G 091 M 2S J
 (1) (2) (3) (4) (5)

- (1) JieJie 3000A gas discharge tube
- (2) DC breakdown voltage, e.g., 091=9×10¹=90V
- (3) Tolerance is DC breakdown voltage, M=+-20%, N=+-30%
- (4) 2-electrod SMD
- (5) Dimension in 4.2×4.0 (mm)

PRODUCT DIMENSIONS (unit: mm)

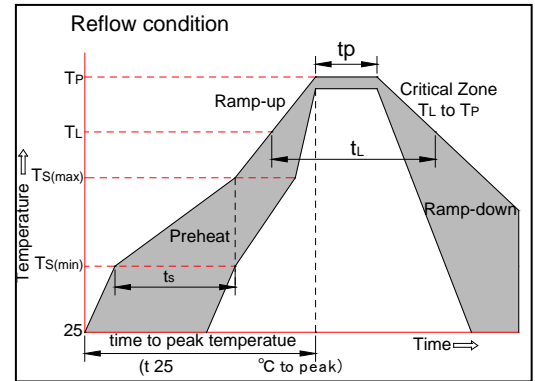


RECOMMENDED SOLDERING PAD

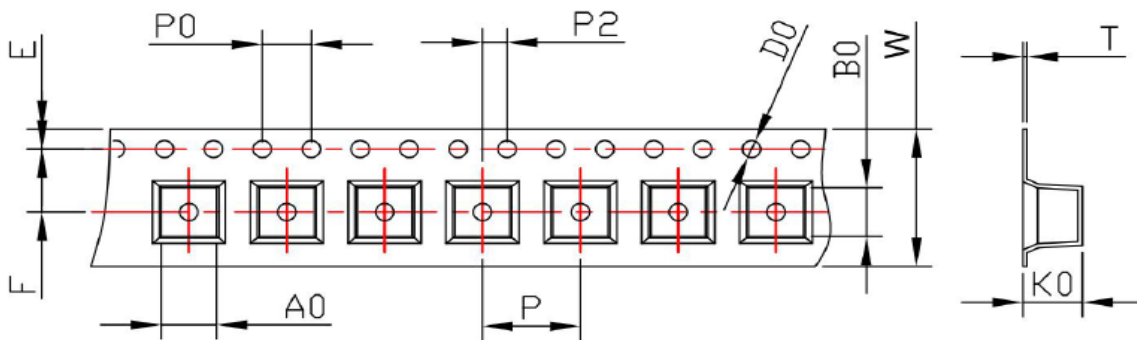


REFLOW PROFILE

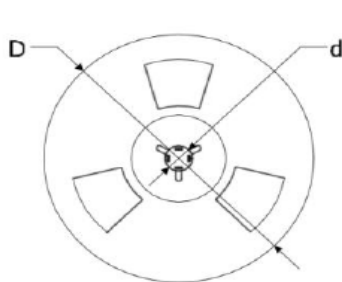
Reflow Condition		Pb-Free assembly (see figure at right)
Pre Heat	-Temperature Min ($T_{s(min)}$)	+150°C
	-Temperature Max($T_{s(max)}$)	+200°C
	-Time (Min to Max) (ts)	60-180 secs.
Average ramp up rate (Liquidus Temp (T_L)to peak)		3°C/sec. Max
$T_{s(max)}$ to T_L - Ramp-up Rate		3°C/sec. Max
Reflow	-Temperature(T_L)(Liquidus)	+217°C
	-Temperature(t_L)	60-150 secs.
Peak Temp (T_p)		+260(+0/-5)°C
Time within 5°C of actual Peak Temp (t_p)		~10 secs.
Ramp-down Rate		6°C/sec. Max
Time 25°C to Peak Temp (T_p)		8 min. Max
Do not exceed		+260°C



PACKAGE REEL INFORMATION



12.00 +0.30 -0.10	4.50 +0.10 -0.10	4.25 +0.10 -0.10	4.50 +0.10 -0.05	0.00 +0.00 -0.00	1.75 +0.10 -0.10	5.50 +0.10 -0.10	8.00 +0.10 -0.10	4.00 +0.10 -0.10	2.00 +0.10 -0.10	1.50 +0.10 -0.00	1.50 +0.10 -0.00	0.35 +0.05 -0.05
W	A0	B0	K0	K1	E	F	P	P0	P2	D0	D1	T



t	0.50	±0.10
D	330.00	±1.00
d	13.00	±0.50
L	16.00	±0.50
t	2.00	±0.20

PACKAGING


Part No.	Reel Quantity (pcs)	Per Carton (pcs)
J3GxxxM2SJ	1000	10000

Information furnished in this document is believed to be accurate and reliable. However, Jiangsu JieJie Microelectronics Co.,Ltd assumes no responsibility for the consequences of use without consideration for such information nor use beyond it.

Information mentioned in this document is subject to change without notice, apart from that when an agreement is signed, Jiangsu JieJie complies with the agreement.

Products and information provided in this document have no infringement of patents. Jiangsu JieJie assumes no responsibility for any infringement of other rights of third parties which may result from the use of such products and information.

This document is the first version which is made in 21-Aug.-2017. This document supersedes and replaces all information previously supplied.

 is a registered trademark of Jiangsu JieJie Microelectronics Co.,Ltd.

Copyright©2017 Jiangsu JieJie Microelectronics Co.,Ltd. Printed All rights reserved.