



## Silicon Planar Zener Diodes: BZX84CxxxAU Series

Rev.0.5

### FEATURE

- ✧ Total power dissipation: max 300mW.
- ✧ Low zener impedance.
- ✧ High reliability and high stability.
- ✧ Voltage range includes breakdown voltages from 4.7V to 43V with approximately  $\pm 5\%$  for BZX84CxxxAU series.
- ✧ AEC-Q101 qualified.



SOT-23



Uni-direction

Symbol

### DESCRIPTION

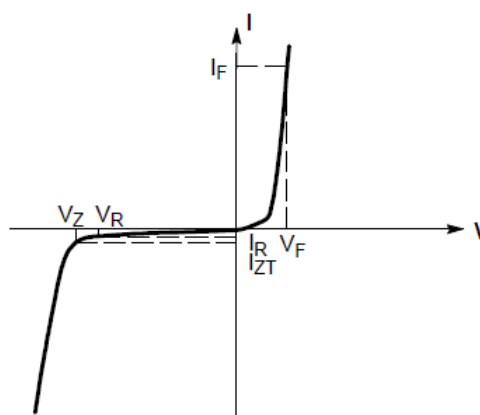
- ✧ SOT-23 small outline plastic package
- ✧ Epoxy UL: 94V-0

### ABSOLUTE MAXIMUM RATINGS AND THERMAL CHARACTERISTICS

Parameter	Symbol	Value	Unit
Total power dissipation @ $T_A=25^\circ\text{C}$	$P_D$	300	mW
Thermal resistance from junction to ambient	$R_{\theta JA}$	417	$^\circ\text{C}/\text{W}$
Junction temperature range	$T_J$	-55 to +150	$^\circ\text{C}$
Storage temperature range	$T_{STG}$	-55 to +150	$^\circ\text{C}$

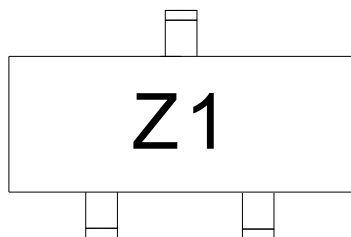
### ELECTRICAL CHARACTERISTICS ( $T_A=25^\circ\text{C}$ )

Symbol	Parameter
$V_Z$	Reverse zener voltage at $I_{ZT}$
$I_{ZT}$	Reverse current
$Z_{ZT}$	Maximum zener impedance at $I_{ZT}$
$I_R$	Reverse leakage current at $V_R$
$V_R$	Reverse voltage
$I_F$	Forward current
$V_F$	Forward voltage at $I_F$



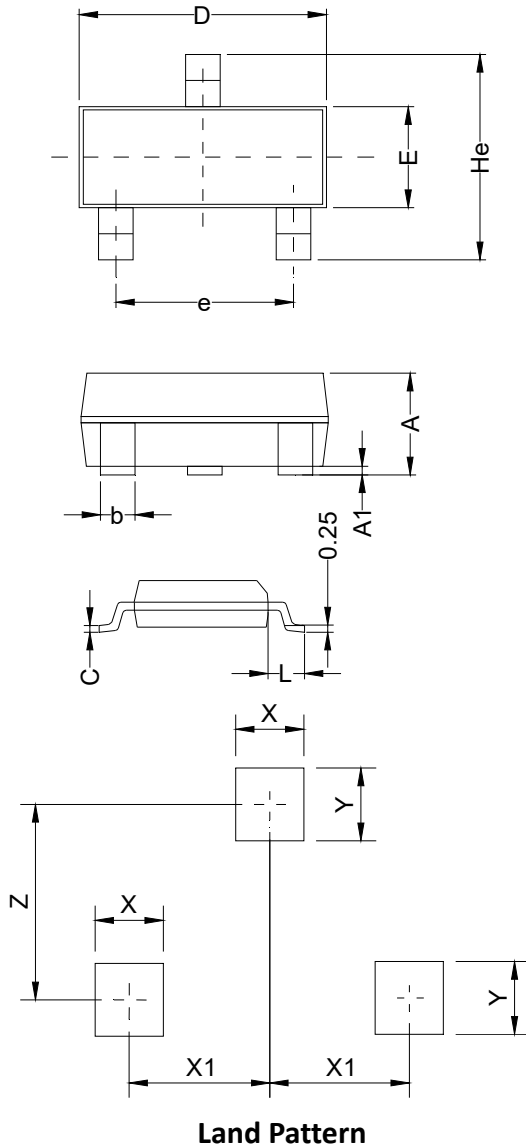
Zener voltage regulator

## MARKING

ELECTRICAL CHARACTERISTICS ( $T_A=25^\circ\text{C}$  unless otherwise noted)Maximum  $V_F=0.9\text{V}$  at  $I_F=10\text{mA}$ 

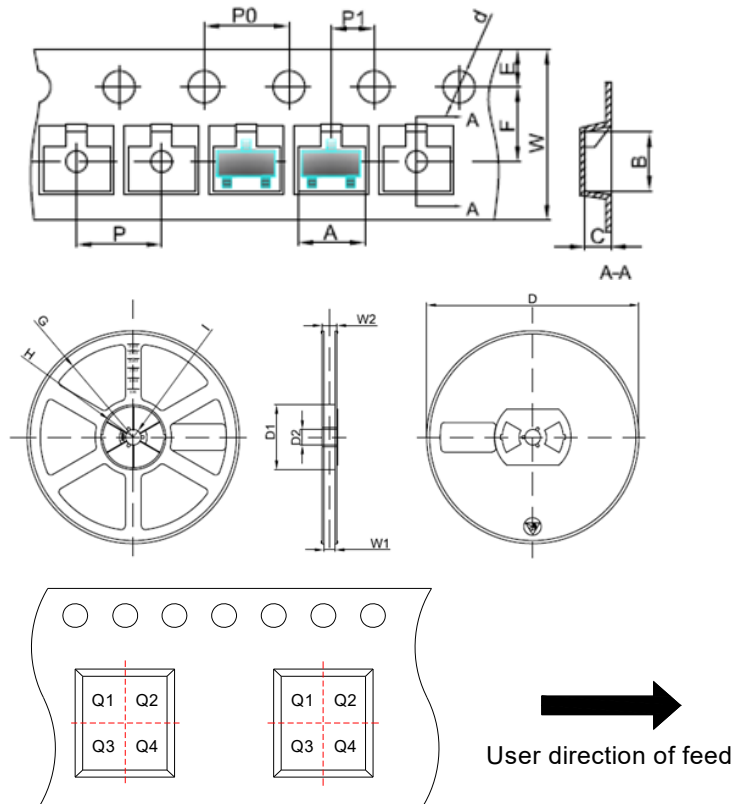
Type number	Zener voltage range at $I_{ZT}$				Maximum zener impedance			Maximum reverse leakage current		Marking
	Nom (Volts)	Min (Volts)	Max (Volts)	$I_{ZT}$ (mA)	$Z_{ZT}$ ( $\Omega$ )	$Z_{ZK}$ ( $\Omega$ )	$I_{ZK}$ (mA)	$I_R$ ( $\mu\text{A}$ )	$V_R$ (Volts)	
BZX84C4V7AU	4.7	4.4	5.0	5	80	500	1.0	3	2.0	Z1
BZX84C5V1AU	5.1	4.8	5.4	5	60	480	1.0	2	2.0	Z2
BZX84C5V6AU	5.6	5.2	6.0	5	40	400	1.0	1	2.0	Z3
BZX84C6V2AU	6.2	5.8	6.6	5	10	150	1.0	3	4.0	Z4
BZX84C6V8AU	6.8	6.4	7.2	5	15	80	1.0	2	4.0	Z5
BZX84C7V5AU	7.5	7.0	7.9	5	15	80	1.0	1	5.0	Z6
BZX84C8V2AU	8.2	7.7	8.7	5	15	80	1.0	0.7	5.0	Z7
BZX84C9V1AU	9.1	8.5	9.6	5	15	100	1.0	0.5	6.0	Z8
BZX84C10AU	10	9.4	10.6	5	20	150	1.0	0.2	7.0	Z9
BZX84C11AU	11	10.4	11.6	5	20	150	1.0	0.1	8.0	Y1 •
BZX84C12AU	12	11.4	12.7	5	25	150	1.0	0.1	8.0	Y2 •
BZX84C13AU	13	12.4	14.1	5	30	170	1.0	0.1	8.0	Y3
BZX84C15AU	15	13.8	15.6	5	30	200	1.0	0.1	10.5	Y4
BZX84C16AU	16	15.3	17.1	5	40	200	1.0	0.1	11.2	Y5
BZX84C18AU	18	16.8	19.1	5	45	225	1.0	0.1	12.6	Y6 •
BZX84C20AU	20	18.8	21.2	5	55	225	1.0	0.1	14.0	Y7
BZX84C22AU	22	20.8	23.3	5	55	250	1.0	0.1	15.4	Y8
BZX84C24AU	24	22.8	25.6	5	70	250	1.0	0.1	16.8	Y9
BZX84C27AU	27	25.1	28.9	2	80	300	0.5	0.1	18.9	Y10
BZX84C30AU	30	28.0	32.0	2	80	300	0.5	0.1	21.0	Y11 •
BZX84C33AU	33	31.0	35.0	2	80	325	0.5	0.1	23.1	Y12
BZX84C36AU	36	34.0	38.0	2	90	350	0.5	0.1	25.2	Y13
BZX84C39AU	39	37.0	41.0	2	130	350	0.5	0.1	27.3	Y14
BZX84C43AU	43	40.0	46.0	2	100	700	1.0	0.1	32	Y15

PACKAGE MECHANICAL DATA



Symbol	Millimeters			Inches		
	Min.	Typ.	Max.	Min.	Typ.	Max.
A	0.90	1.063	1.15	0.035	0.042	0.045
A1	0.00	0.075	0.14	0.000	0.003	0.006
b	0.30	0.40	0.50	0.012	0.016	0.020
C	0.07	0.10	0.15	0.003	0.004	0.006
D	2.80	2.90	3.00	0.110	0.114	0.118
e	1.80	1.90	2.00	0.071	0.075	0.079
E	1.20	1.30	1.40	0.047	0.051	0.055
L	0.55REF			0.022REF		
He	2.25	2.40	2.55	0.089	0.094	0.100
X	0.80			0.031		
X1	0.95			0.037		
Y	0.80			0.031		
Z	2.02			0.080		

**TAPE AND REEL SPECIFICATION-SOT-23**



Pin 1 quadrant: Q3

**Packaging Description:**

SOT-23 parts are shipped in tape. The carrier tape is made from a dissipative(carbon filled) polycarbonate resin. The cover tape is a multilayer film(heat activated adhesive in nature)primarily composed of polyester film, adhesive layer, sealant, and anti-static sprayed agent. These reeled parts in standard option are shipped with 3,000units per 7" or 17.8cm diameter reel. The reels are clear in color and made of polystyrene plastic(anti-static coated).

Symbol	Millimeters	Inches
	Typ.	Typ.
A	3.15	0.124
B	2.77	0.109
C	1.22	0.048
d	Φ1.50	Φ0.059
E	1.75	0.069
F	3.50	0.138
P0	4.00	0.157
P	4.00	0.157
P1	2.00	0.079
W	8.00	0.315
D	Φ178	Φ7.008
D1	54.40	2.142
D2	13.00	0.512
G	R78.00	R3.071
H	R25.60	R1.008
I	R6.50	R0.256
W1	9.50	0.374
W2	12.30	0.484

**ORDERING INFORMATION**

Part Number	Package	Reel Size	Quantity Per Reel
BZX84CxxxAU Series	SOT-23	7 Inch	3,000 pcs



**RATINGS AND CHARACTERISTICS CURVES** ( $T_A=25^{\circ}\text{C}$ , unless otherwise noted)

Fig.1 Power dissipation vs ambient temperature

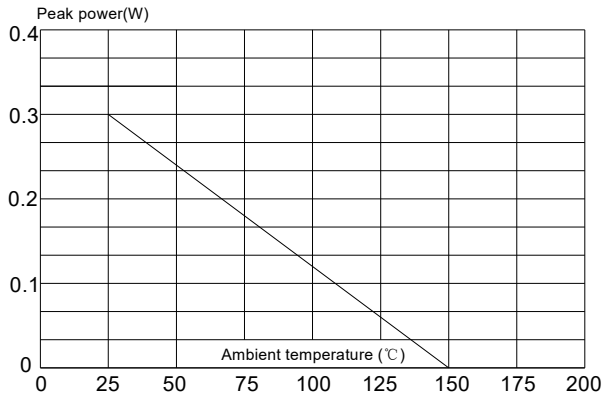


Fig.2 Zener breakdown characteristics

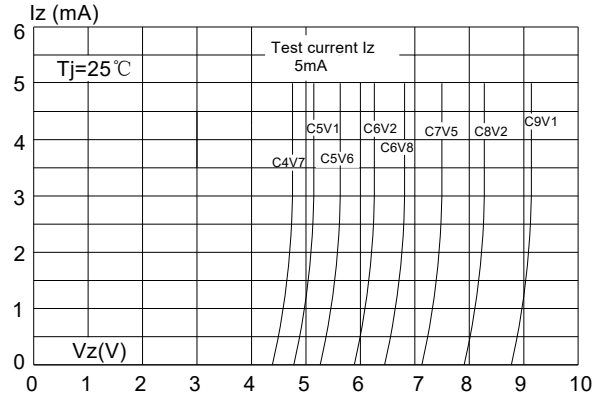


Fig.3 Zener breakdown characteristics

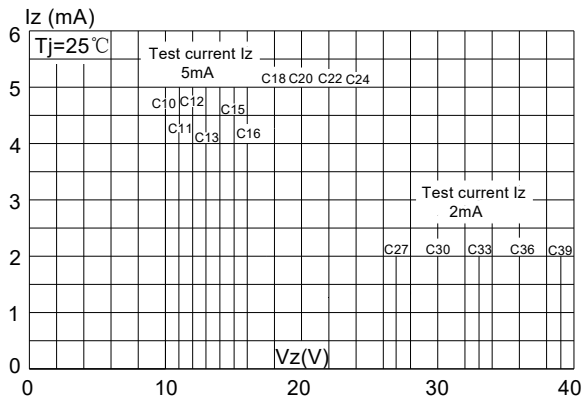
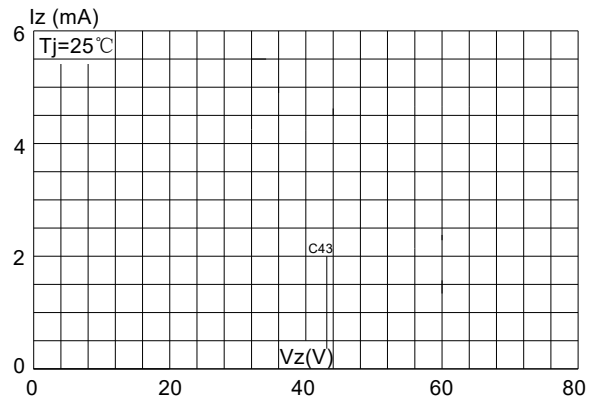


Fig.4 Zener breakdown characteristics




JieJie products are not designed for, and shall not be used for, any purpose (including, without limitation, automotive, military, aerospace, medical, life-saving, life-sustaining or nuclear facility applications, devices intended for surgical implant into the body, or any other application in which the failure or lack of desired operation of the product may result in personal injury, death, or property damage) other than those expressly set forth in applicable JieJie product documentation. Warranties granted by JieJie shall be deemed void for products used for any purpose not expressly set forth in applicable JieJie documentation. JieJie shall not be liable for any claims or damages arising out of products used in applications not expressly intended by JieJie as set forth in applicable JieJie documentation. The sale and use of JieJie products is subject to JieJie terms and conditions of sale, unless otherwise agreed by JieJie.

Information furnished in this document is believed to be accurate and reliable. However, Jiangsu JieJie Microelectronics Co., Ltd. assumes no responsibility for the consequences of use without consideration for such information nor use beyond it.

Information mentioned in this document is subject to change without notice, apart from that when an agreement is signed, Jiangsu JieJie complies with the agreement.

Products and information provided in this document have no infringement of patents. Jiangsu JieJie assumes no responsibility for any infringement of other rights of third parties which may result from the use of such products and information.

This document is the 0.5th version which is made in 18-Nov.-2025. This document supersedes and replaces all information previously supplied.

 is a registered trademark of Jiangsu JieJie Microelectronics Co., Ltd.

Copyright ©2025 Jiangsu JieJie Microelectronics Co., Ltd. Printed All rights reserved.